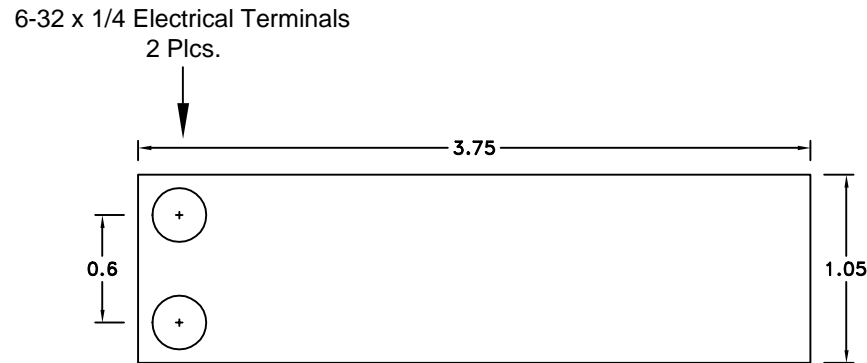
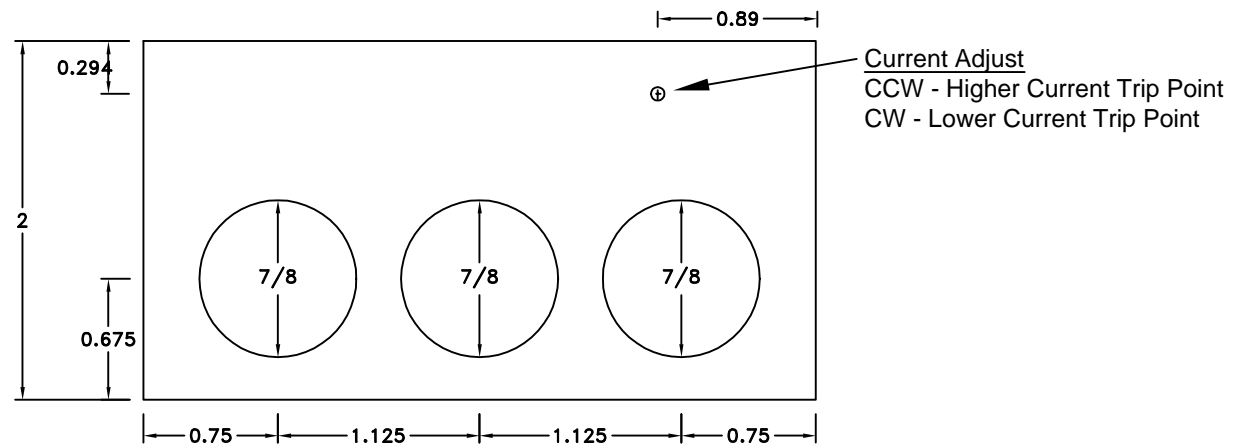


110 VAC goes from low impedance to high impedance on trip.
 Max. Load 3 AMP at 110 VAC

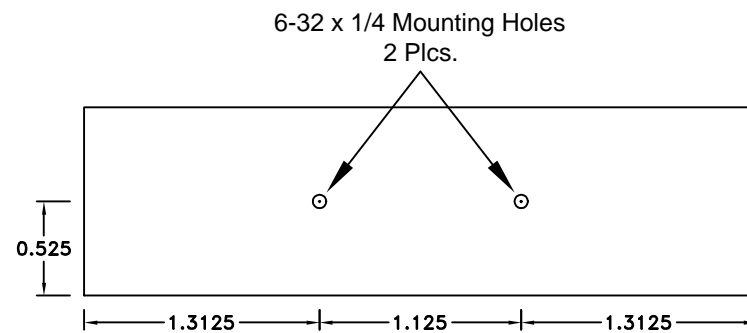
TOP



SIDE



BOTTOM



All dimensions in inches